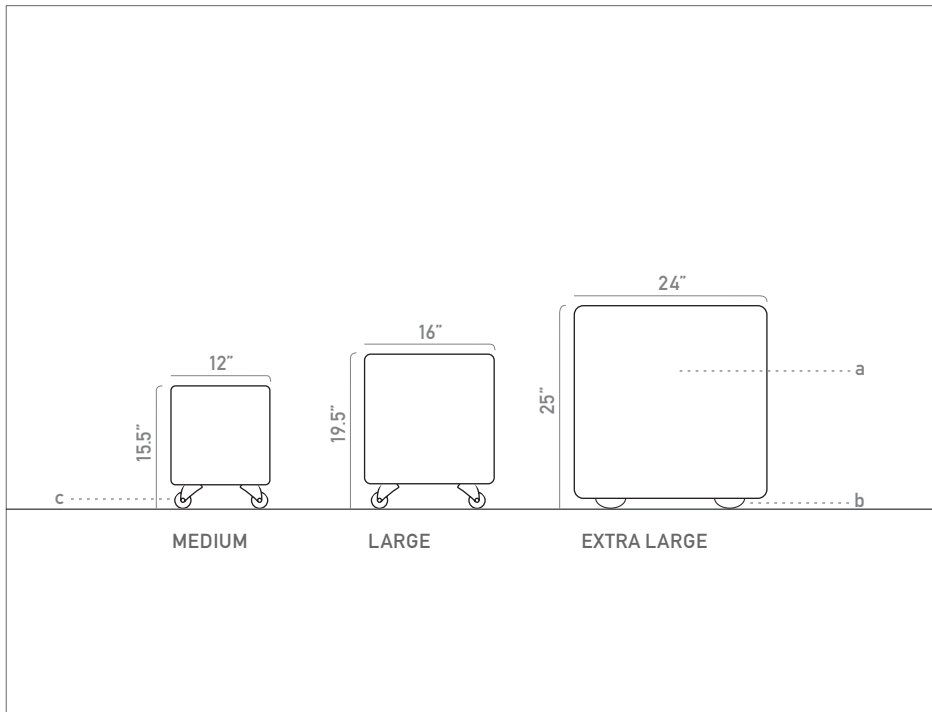
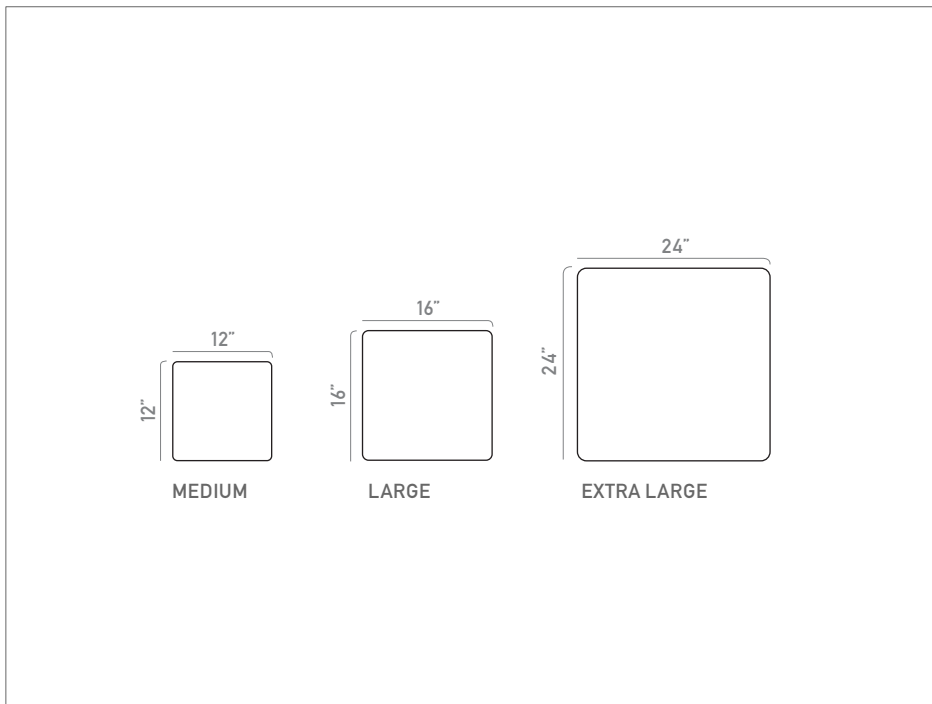


**SPECIFICATION SHEETS
CARE INSTRUCTIONS**

FLOAT



FRONTVIEW



TOP VIEW



TREAD COLLECTION CUBE STOOL

COMPONENTS

- a cast urethane rubber cube
- b rubber stops (+1")
- c 360° swiveling castor (+3.5")

DIMENSIONS + WEIGHT

MEDIUM
12" x 12" x 15.5"
22 lbs / 10 kg

LARGE
16" x 16" x 19.5"
39 lbs / 17.7 kg

EXTRA LARGE
24" x 24" x 25"
82 lbs / 37.3 kg

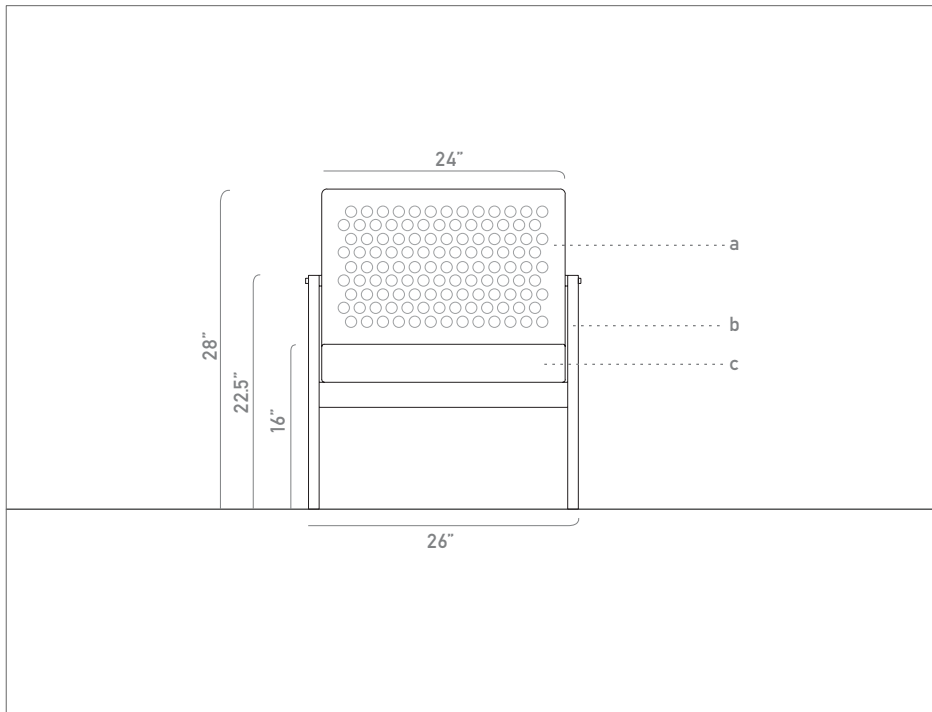
DESCRIPTION

The CUBE STOOL is made of cast translucent urethane rubber. MEDIUM and LARGE come with either swiveling castors or rubber stops. EXTRA LARGE available with rubber stops only.

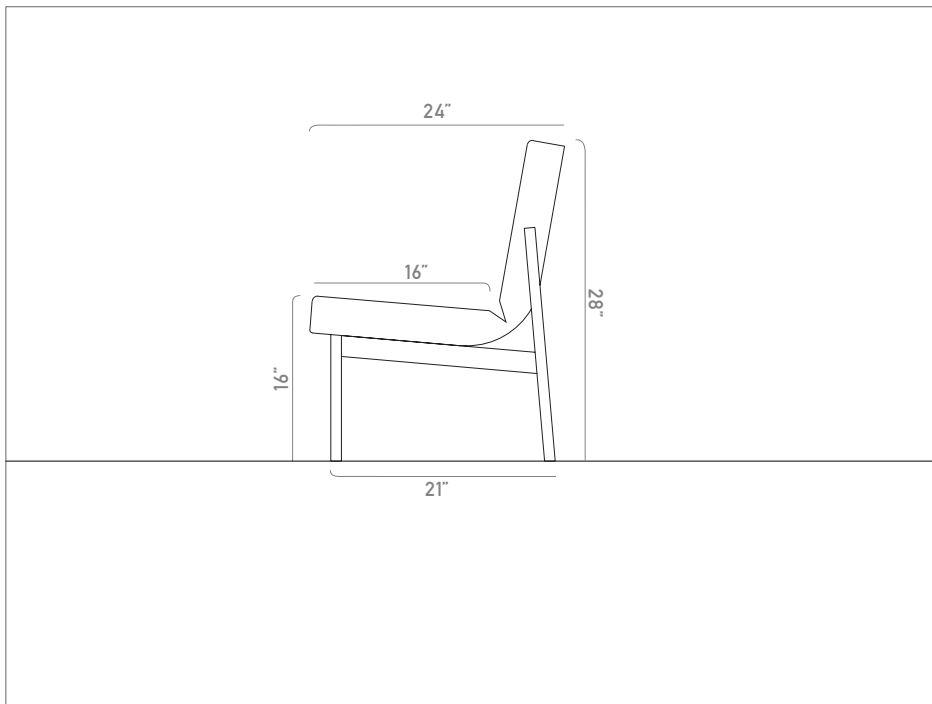
CARE

Clean with warm, soapy water using soft, cotton cloth. Do not use any chemical cleaners and do not rub with force or abrasive materials. Rubber finish will gently patina over time. Refresh with Armor All Original Protectant Wipes monthly. Indoor use only; avoid prolonged exposure to direct sunlight.

FLOAT



FRONTVIEW



SIDE VIEW



TREAD COLLECTION LOUNGE CHAIR

COMPONENTS

- a cast rubber seat back
- b powder-coated steel frame
- c cast rubber seat w/ foam cushion

DIMENSIONS + WEIGHT

26" x 24" x 28"
100 lbs / 45.5 kg

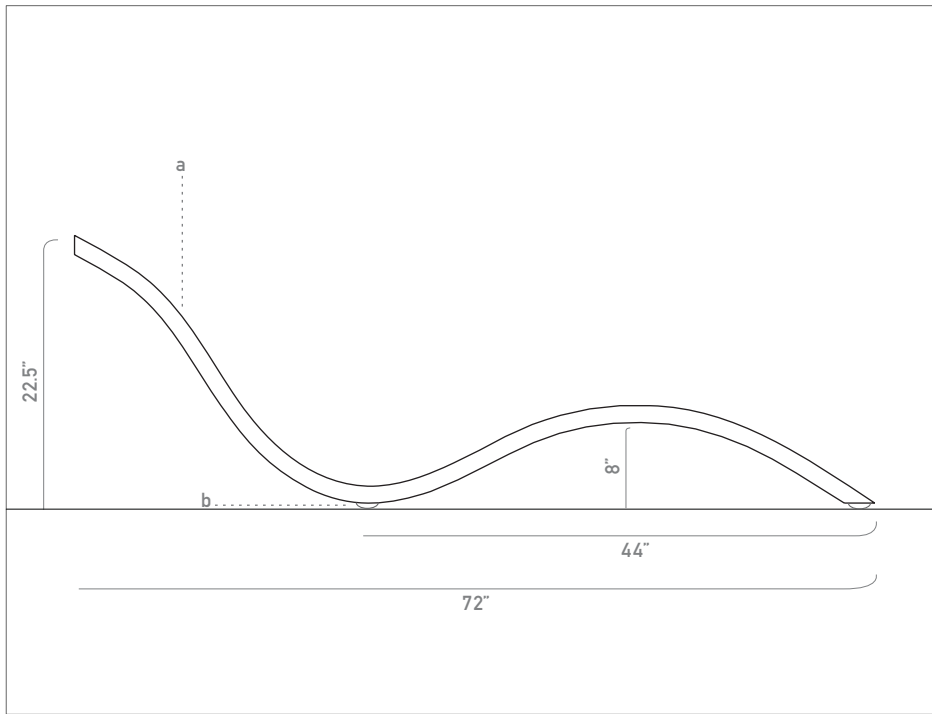
DESCRIPTION

The LOUNGE CHAIR is made of cast translucent urethane rubber with an interior foam cushion and glass-beaded steel frame.

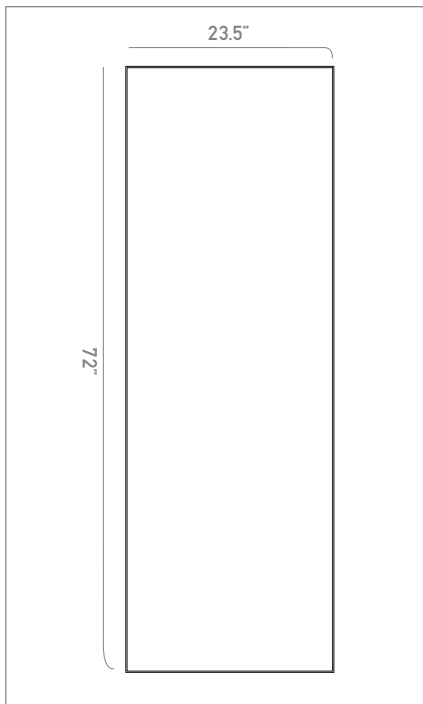
CARE

Clean with warm, soapy water using soft, cotton cloth. Do not use any chemical cleaners and do not rub with force or abrasive materials. Rubber finish will gently patina over time. Refresh with Armor All Original Protectant Wipes monthly. Indoor use only; avoid prolonged exposure to direct sunlight.

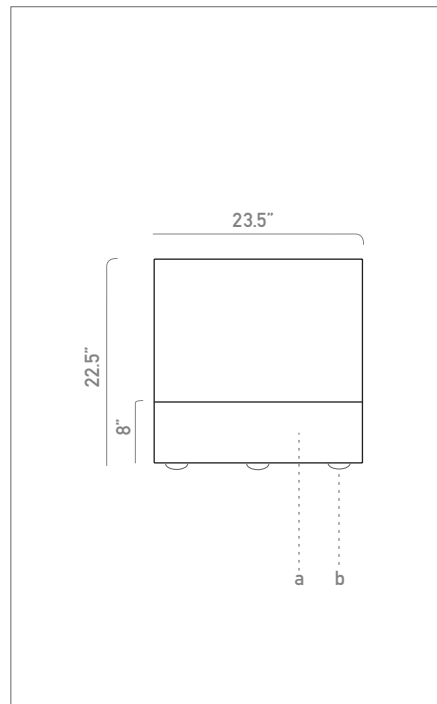
FLOAT



SIDE VIEW



TOP VIEW



FRONT VIEW

WAVE COLLECTION WAVE CHAISE

COMPONENTS

- a cast fiberglass w/ gel-coat finish
- b silicone rubber feet

DIMENSIONS + WEIGHT

72" x 23.5" x 22.5"
80 lbs / 36.4 kg

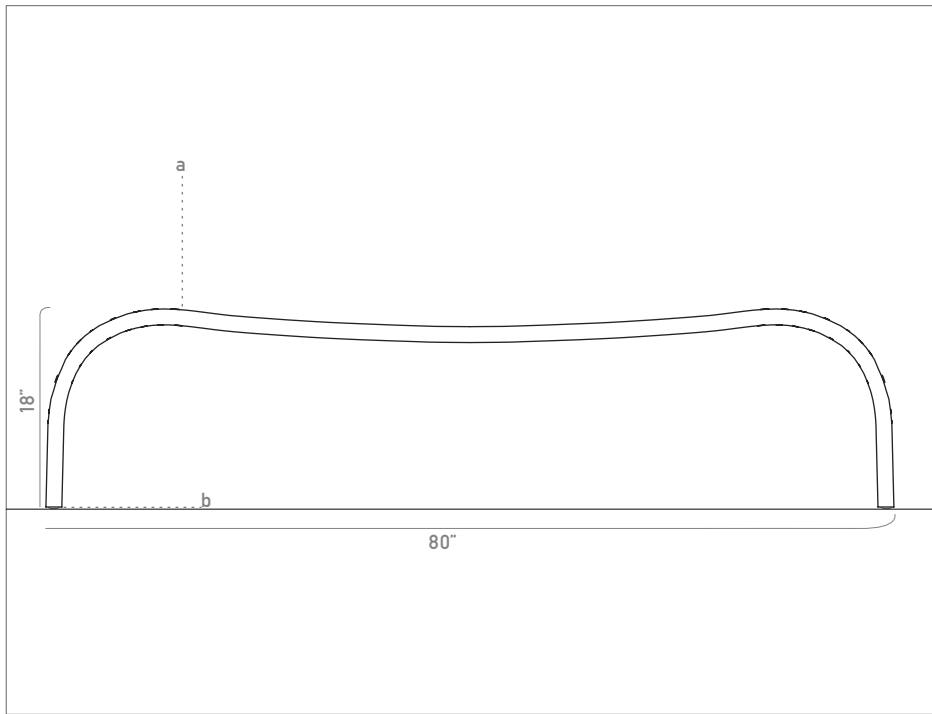
DESCRIPTION

The WAVE CHAISE is a cast fiberglass piece with a gel-coat color or wood veneer finish. It is situated on six silicone rubber feet.

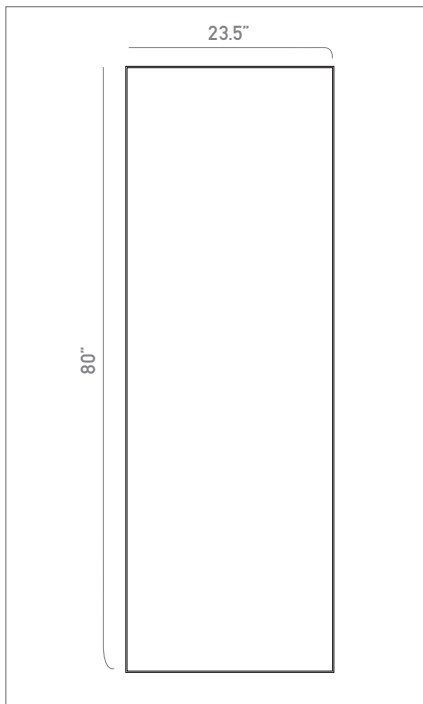
CARE

Gel-coat finish suitable for indoor and outdoor use. Wood veneer finish for indoor use only. Clean with warm, soapy water using soft, cotton cloth. Gel-coat finish may be lightly buffed and waxed.

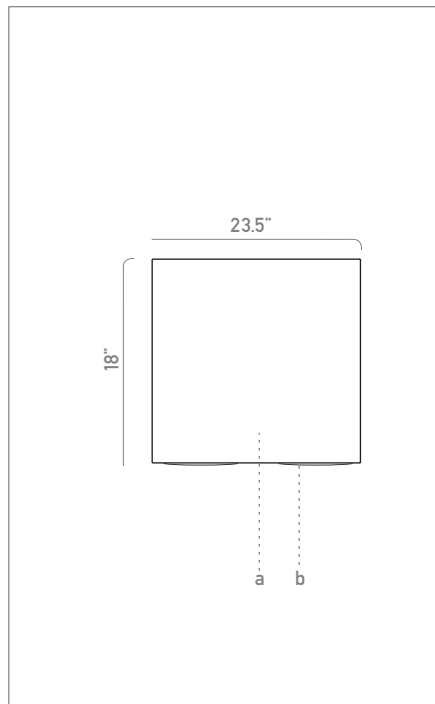
FLOAT



FRONTVIEW



TOP VIEW



SIDE VIEW



WAVE COLLECTION WAVE BENCH

COMPONENTS

- a cast fiberglass w/
gel-coat or wood veneer finish
- b silicone rubber feet

DIMENSIONS + WEIGHT

80" x 23.5" x 18"

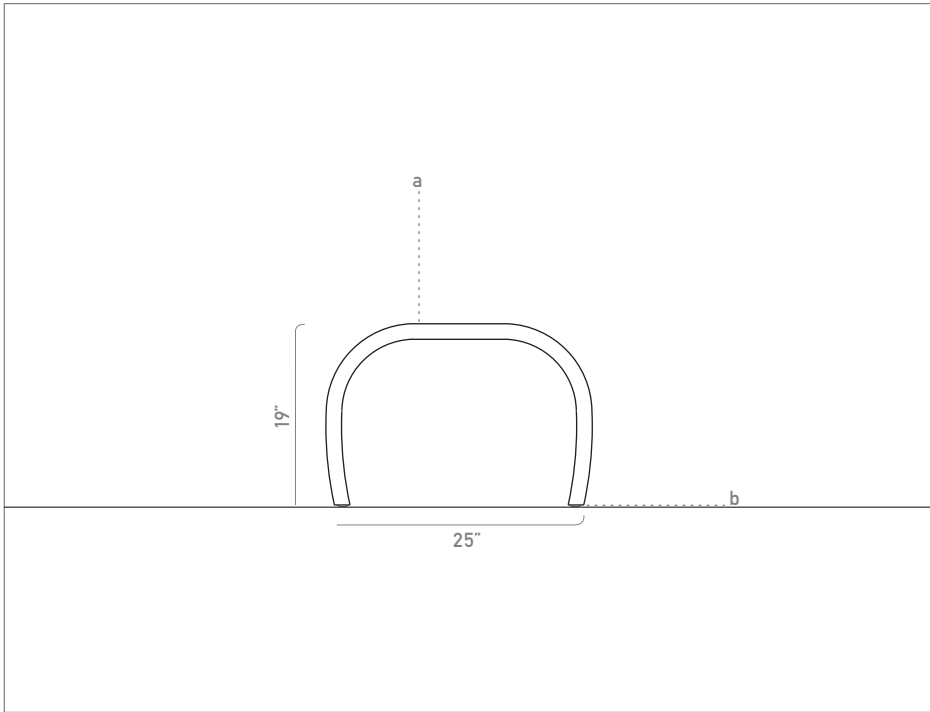
DESCRIPTION

The WAVE BENCH is a cast fiberglass piece with a gel-coat color or wood veneer finish. The bench is situated on four silicone rubber pads.

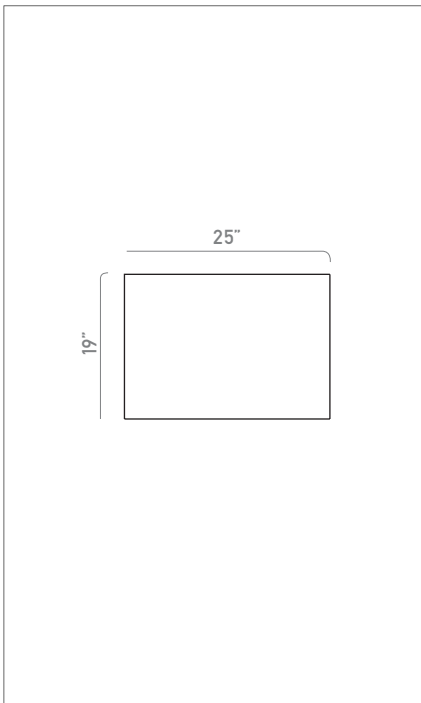
CARE

Gel-coat finish suitable for indoor and outdoor use. Wood veneer finish for indoor use only. Clean with warm, soapy water using soft, cotton cloth. Gel-coat finish may be lightly buffed and waxed.

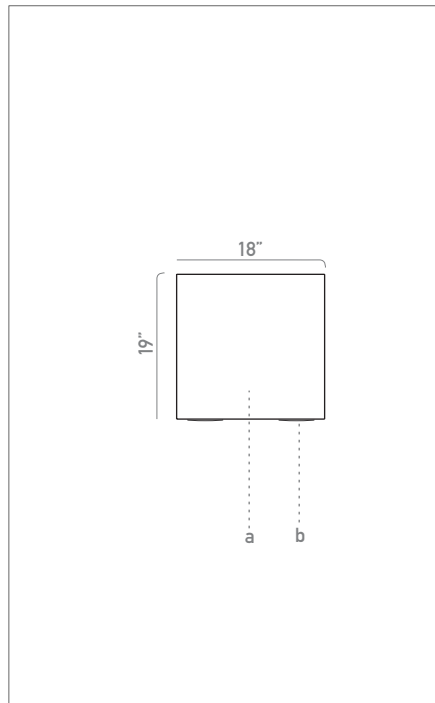
FLOAT



FRONTVIEW



TOP VIEW



SIDE VIEW



WAVE COLLECTION WAVE STOOL

COMPONENTS

- a cast fiberglass w/
gel-coat or wood veneer finish
- b silicone rubber feet

DIMENSIONS + WEIGHT

25" x 18" x 19"
26 lbs / 11.8 kg

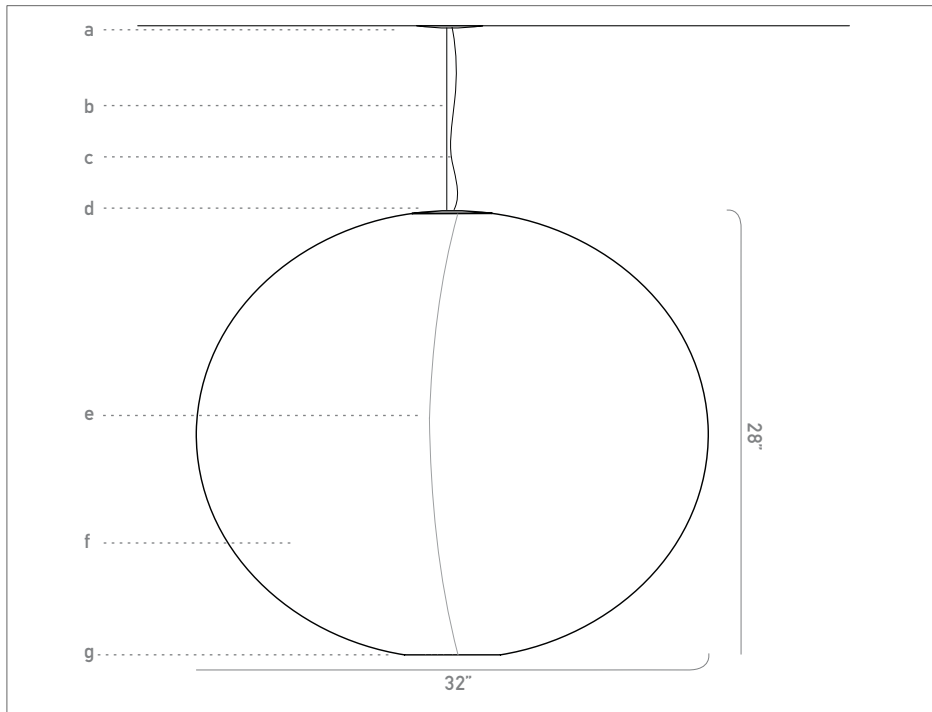
DESCRIPTION

The WAVE STOOL is a cast fiberglass piece with a gel-coat color or wood veneer finish. The stool is situated on four silicone rubber pads.

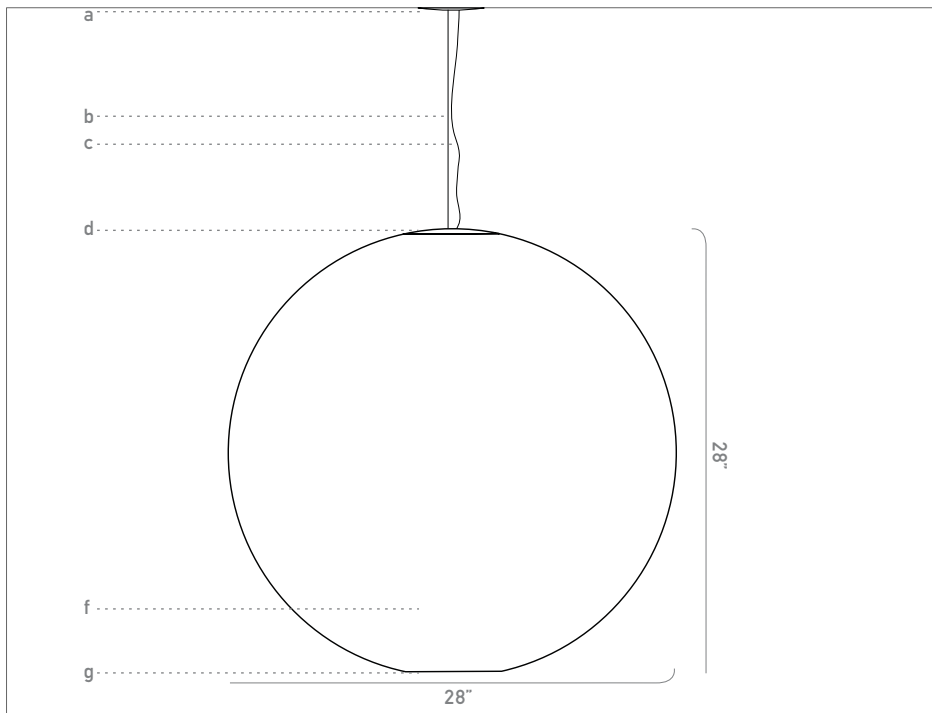
CARE

Gel-coat finish suitable for indoor and outdoor use. Wood veneer finish for indoor use only. Clean with warm, soapy water using soft, cotton cloth. Gel-coat finish may be lightly buffed and waxed.

FLOAT



FRONT VIEW



SIDE VIEW



CURRENT COLLECTION MOON PENDANT LAMP

COMPONENTS

- a white powder-coat ceiling plate
- b 1/16"-diameter steel aircraft cable
- c translucent cord
- d brushed nickel fixture
- e seam
- f cast fiberglass/resin lamp
- g 6"-diameter aperture

DIMENSIONS + WEIGHT

32" x 28" x 28"
12 lbs / 5.5 kg

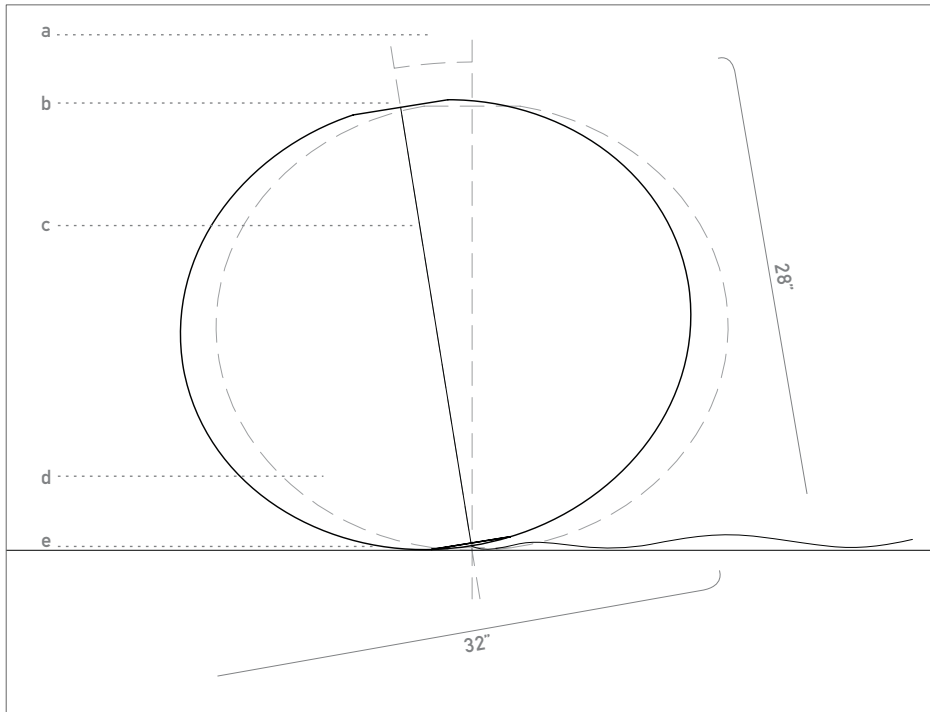
DESCRIPTION

The MOON PENDANT LAMP is made of cast fiberglass/resin and is molded in two halves and seamed together longitudinally. The lamp arrives with 10'-0" of cord and cabling to be trimmed as necessary upon installation. Components are UL-rated. Accepts 100- or 150-watt G40 globe bulb.

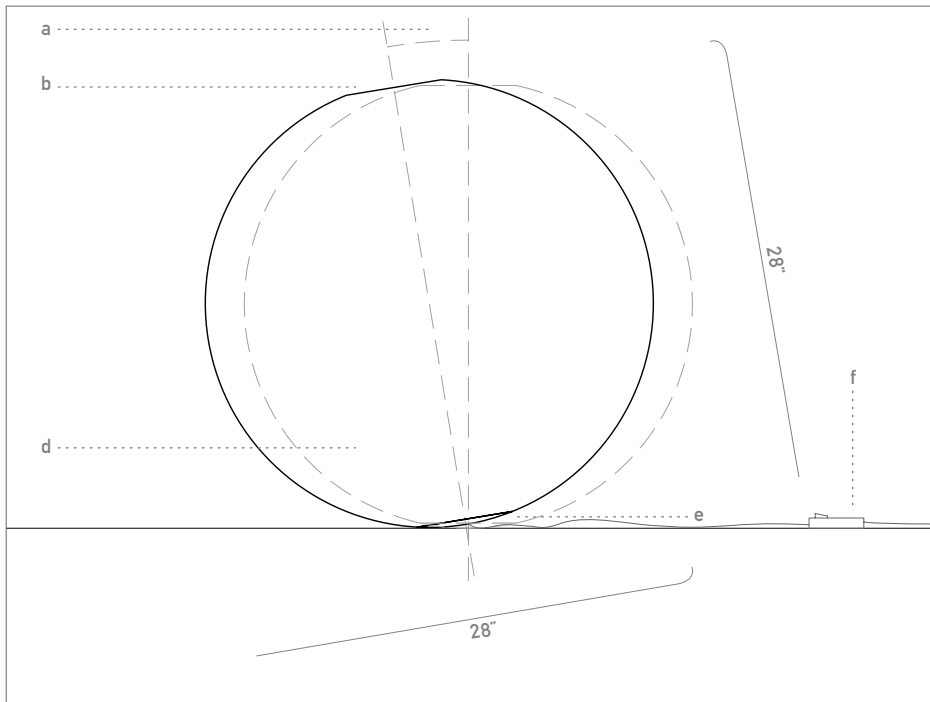
CARE

Clean with warm, soapy water using a dry cotton cloth. Do not use chemical-based cleansers.

FLOAT



FRONT VIEW



SIDE VIEW



CURRENT COLLECTION MOON FLOOR LAMP

COMPONENTS

- a axis and tilt
- b 6"-diameter aperture
- c seam
- d cast fiberglass/resin lamp
- e brushed nickel fixture
- f cord with dimmer switch/plate

DIMENSIONS + WEIGHT

32" x 28" x 28"
12 lbs / 5.5 kg

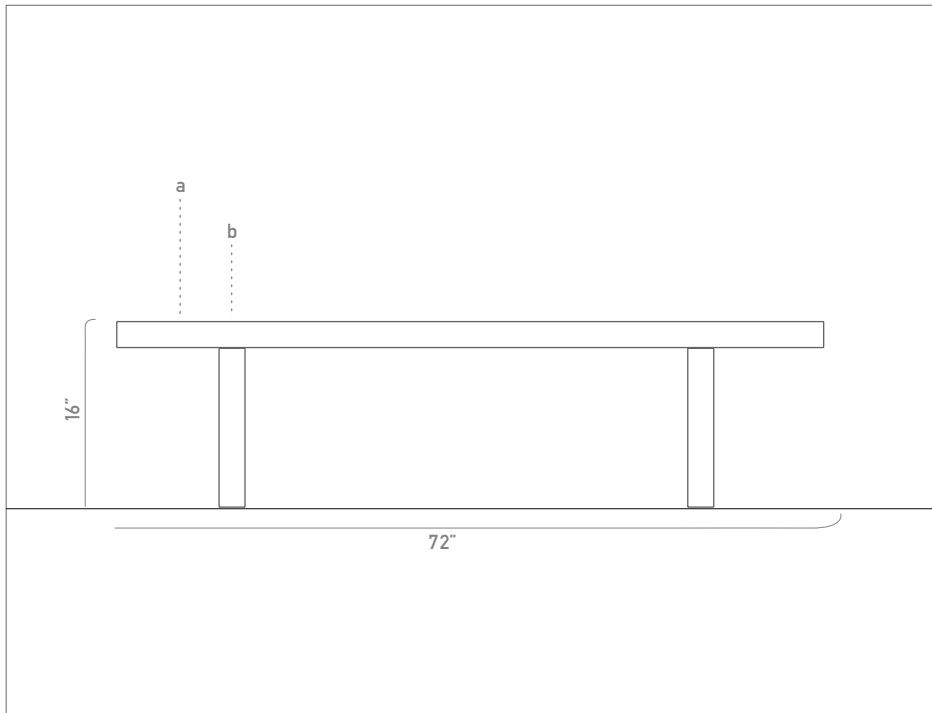
DESCRIPTION

The MOON FLOOR LAMP is made of cast fiberglass/resin and is molded in two halves and seamed together longitudinally. It will lean to one side or the other, depending on user placement. A dimmer switch controls luminosity. Components are UL-rated. Accepts 100- or 150-watt G40 globe light bulb.

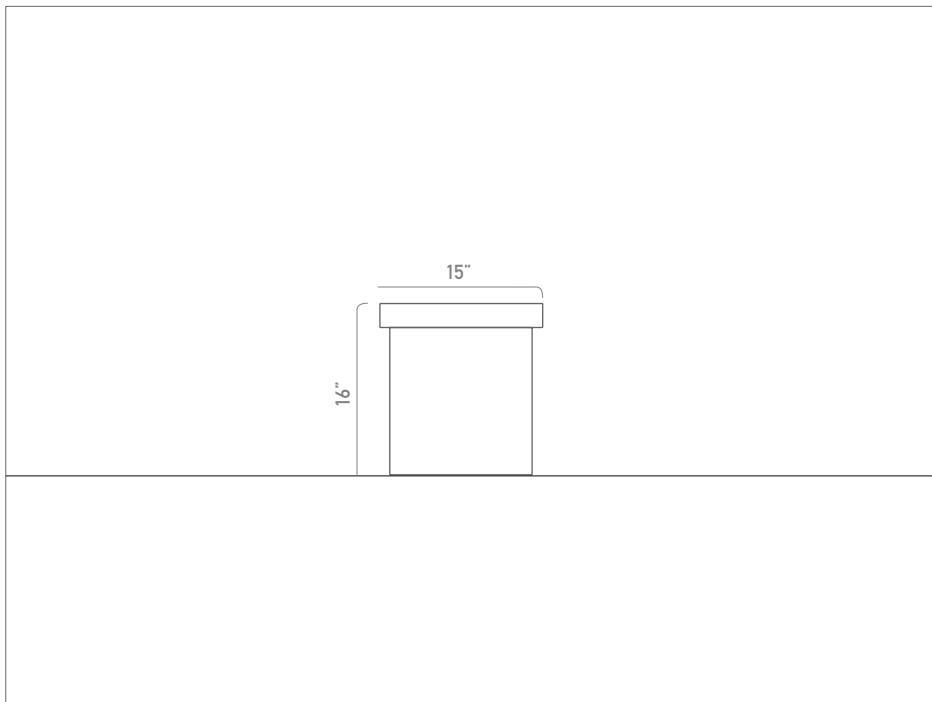
CARE

Indoor use only. Not suitable for outdoor use unless specially outfitted upon ordering. The lamp does not float; do not immerse in water. Do not lift from aperture. Clean with warm, soapy water using a dry cotton cloth. Do not use harsh chemical-based cleansers.

FLOAT



FRONTVIEW



SIDE VIEW



ROOTS COLLECTION ROOTS BENCH

COMPONENTS

- a solid 2" recycled pine or wenge
- b site of Japanese wedge joint

DIMENSIONS + WEIGHT

72" x 15" x 16"

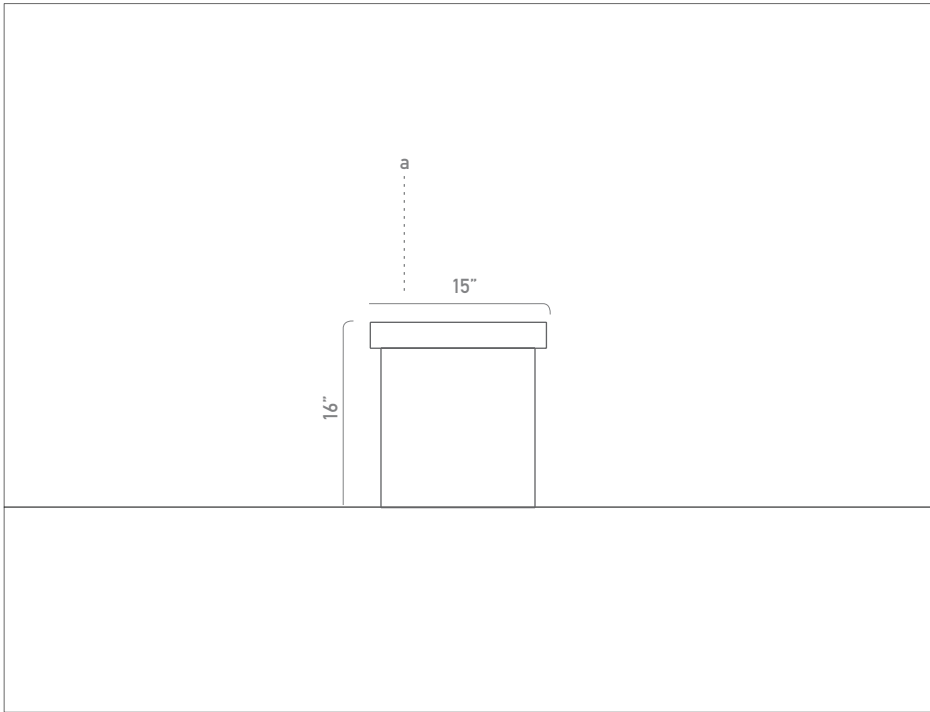
DESCRIPTION

The ROOTS BENCH is made of solid 2" wenge or recycled pine, fused with Japanese joinery. Recycled pine may be stained to different intensities.

CARE

Using a mixture of lukewarm water with either Murphy Oil Soap or light liquid dishwashing detergent, wipe the surface with a soft, cotton cloth. Absolutely use no spray waxes, harsh chemical cleaners/disinfectants, or Pledge-brand products.

FLOAT



FRONTVIEW



ROOTS COLLECTION ROOTS STOOL

COMPONENTS

- a solid 2" recycled pine or wenge
- b site of Japanese wedge joint

DESCRIPTION

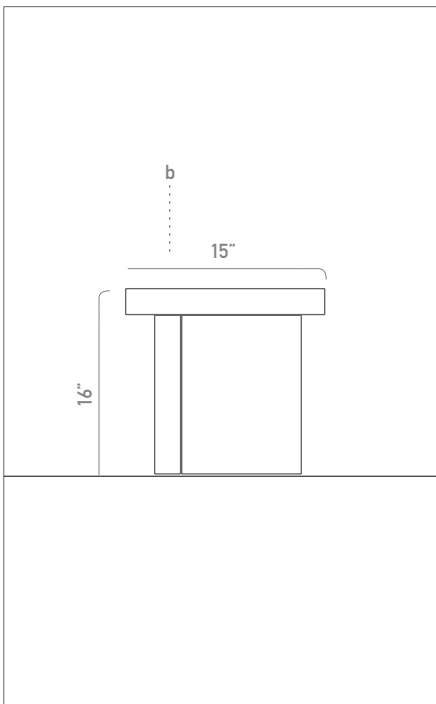
The ROOTS STOOL is made of solid 2" wenge or recycled pine, fused with Japanese joinery. Recycled pine may be stained to different intensities.

DIMENSIONS + WEIGHT

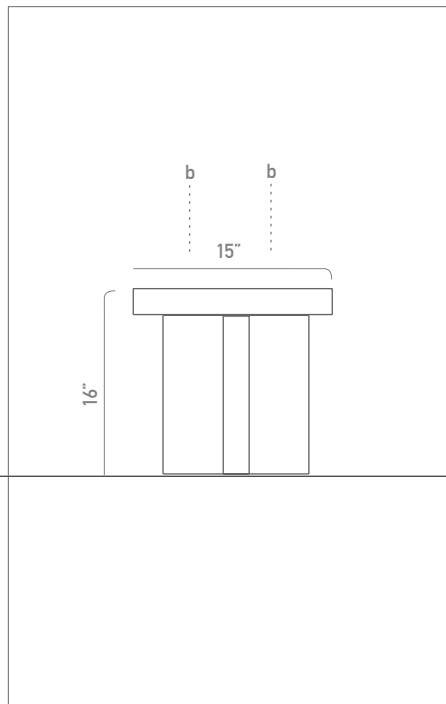
16" x 15" x 16"

CARE

Using a mixture of lukewarm water with either Murphy Oil Soap or light liquid dishwashing detergent, wipe the surface with a soft, cotton cloth. Absolutely use no spray waxes, harsh chemical cleaners/disinfectants, or Pledge-brand products.



SIDE VIEW 1



SIDE VIEW 2

FLOAT